

THE PROPERTY OF THE DRAWING IS ESTABLISHED BY LAW  
IT IS FORBIDDEN TO PRODUCE OR SHOW IT TO THIRD PART  
WITHOUT A WRITTEN AGREEMENT.

MODIFICAZIONI

7	8	9
10	11	12

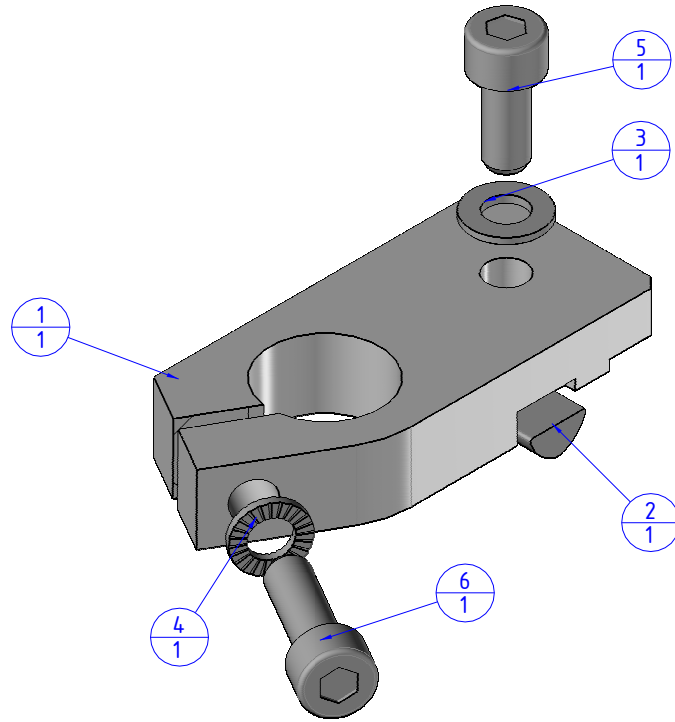
VARIED DIMENSIONI SCOP DATE:

MODIFICAZIONI

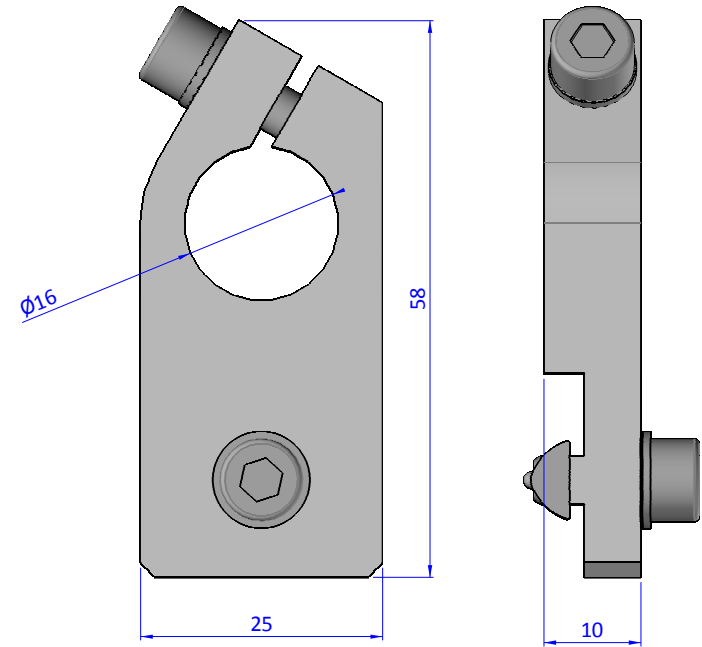
1	2	3
4	5	6

VARIED DIMENSIONI SCOP DATE:

Format A3  
UNI 936-76



Obgett Number	Name	QTY
1	04.01.001	1
2	CA.02.05.003	1
3	R.5	1
4	R.5.SCH	1
5	V-tcei M 5 x 12	1
6	V-tcei M 5 x 16	1



		DESIGNED FROM	
		FPSERVICES	
GENERAL TOLERANCE		DATE	WEIGHT
UNI - ISO 2768		20/05/2016	0,033kg
CLASSE I		CODE	
CA.04.01.001		CA.04.01.001	